

Part number

MK VN20



Brief description:

hoods for single lever, size "21.21", top entry, M20, thermoplastic version, IP44, IP66/IP67 degree of protection with CKR 65 kit or CKR 65 D kit.

Product description

Version	thermoplastic version
Series	Hoods with 2 pegs
Product type	with 2 pegs
Variant	top entry
Style	black colour
Family	CK thermoplastic enclosures
Size	size "21.21"


Technical data

Operating temperature range (min, max)	-40°C ... +125°C
Material	thermoplastic
IP degree of protection	IP44 (IP66/IP67 with CKR 65/CKR 65 D kits)
Cable entry	M20

Further technical details

Weight	18,00 g
---------------	---------

Approvals / Standards

Quality mark	UL type: 12, (type 4/4X only with kit CKR 65 or CKR 65 D),  , EAC
Conformity	CQC, CE

General ordering information

EAN13 code	8015747056687
Tariff number	85369095

Packaging Information

Packaging length	370,00 mm
Packaging height	135,00 mm
Packaging width	225,00 mm
Packaging weight	1,75 kg
Packaging volume	11,24 dm ³
Packaging description	Carton box
Packaging quantity	100 Pcs
Packaging EAN code	8015747056694
Sub-packaging length	105,00 mm
Sub-packaging height	70,00 mm
Sub-packaging width	110,00 mm
Sub-packaging weight	0,18 kg
Sub-packaging volume	0,81 dm ³
Sub-packaging description	Carton Box
Sub-packaging quantity	10 Pcs
Sub-packaging EAN barcode	8015747056700

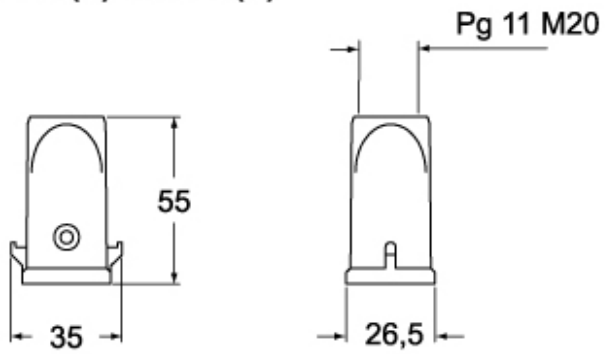
Part number

MK VN20

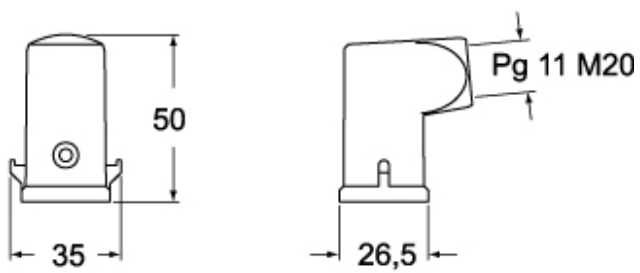


Catalogue drawings

CK V(N)S - MK V(N)



CK VA(N)S - MK VA(N)



CK VG(N)S - MK VG(N)

